

WP10NA

6 cyl. In-line | Natural Aspiration | 595 CI | 12 volt

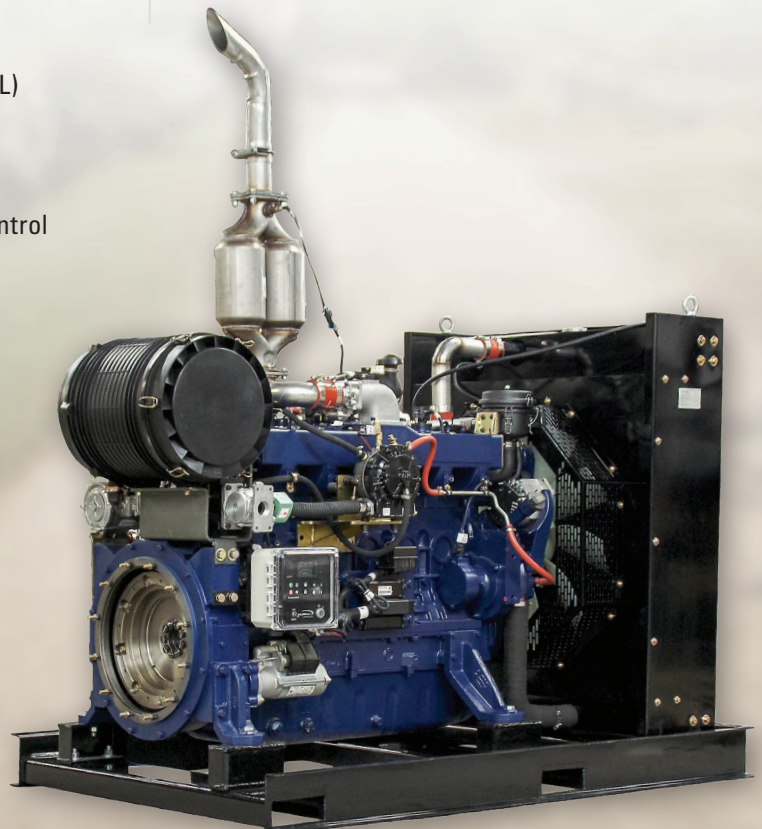
WEICHAI

Standard Features

- » US-EPA Certified
- » Engine and Block
 - » Diesel Grade Cast Iron Block and Head
 - » One-Piece Forged Crankshaft
 - » Replaceable Dry Cylinder Liners
 - » Forged Connection Rod and Aluminum Alloy Pistons
 - » Oil Gallery Piston Cooling
- » Intake Air and Exhaust System
 - » Separate Cast Iron Cylinder Heads
 - » Hardened Valves and Valve Seats
 - » Naturally Aspirated
 - » Rear Mounted Air Cleaner
 - » Replaceable Air Filter with Restriction Indicator
- » Fuel/Exhaust Aftertreatment
 - » Natural Gas, Wellhead Gas, LPG
 - » 3-Way Catalyst
- » Cooling System
 - » Poly V-Belt Driven Water Pump
 - » Pusher or Suction Fan
 - » 50c Ambient Cooling Capacity
- » Lubrication System
 - » Cast, Flat Bottom, High Capacity Oil Pan (24L)
 - » High Capacity, Gear Driven Oil Pump
 - » Spin-On Oil Filters
- » Engine Control System and Ignition
 - » US Proven ECU, Fuel System and Engine Control
 - » CANBUS J1939 Interface
 - » Knock Sense and Control
 - » Coil on Plug
 - » Telematics Compatibility
 - » Engine Protection
 - » Oil Pressure and Oil Level
 - » Coolant Temperature and Coolant Level
 - » Over-Speed
- » Flywheel and Housing
 - » SAE 10" or 11.5" Flywheel
 - » SAE#1 or 3 Rear Housing

Specifications

- » 6 Cylinder In-Line, 4 Cycle
- » Naturally Aspirated
- » Bore & Stroke: 4.96" x 5.12" (126mm x 130mm)
- » Displacement 595 cu in (9.75L)
- » Compression Ratio: 9.75:1
- » Governor: Electronic
- » Emissions: US-EPA Certified
- » Net Maximum Horsepower
 - NG: 153 hp @ 2200 (114.1 kWm)
 - LP: 150 hp @ 1800 (111.9 kWm)
- » Hi Idle: 2200 rpm
- » Rotation Viewed from Flywheel: Counterclockwise



HUSKER POWER PRODUCTS

ENGINES • PUMPS • GENERATORS

WP10NA

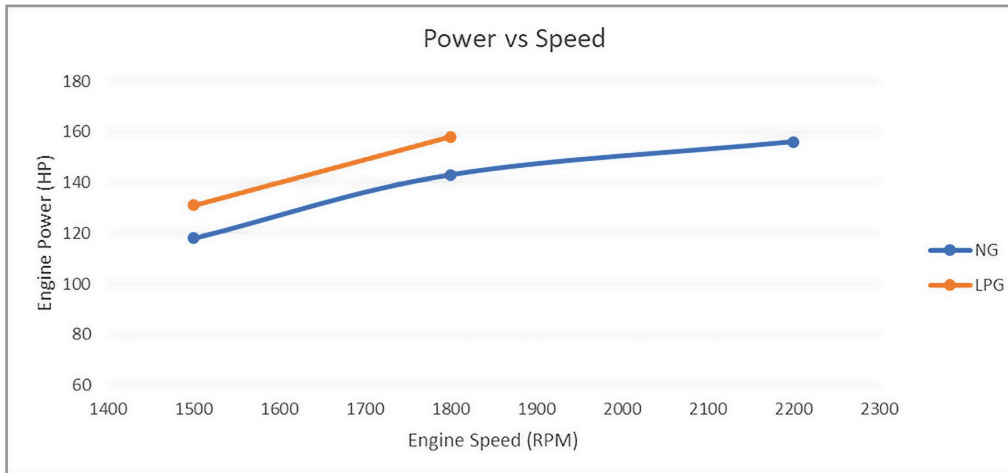
6 cyl. In-line | Natural Aspiration | 595 CI | 12 volt

HUSKER POWER
PRODUCTS
ENGINES • PUMPS • GENERATORS

Performance Curves

RPM	1500	1800	2200
HP/NG	120	135	153
HP/LPG	129	150	NA

Maximum recommended continuous duty application at 2500', 100 degree temperature with fan and radiator. Derate 1% per 10 degrees above 100 and 3.5% per 1000' above 2500'.

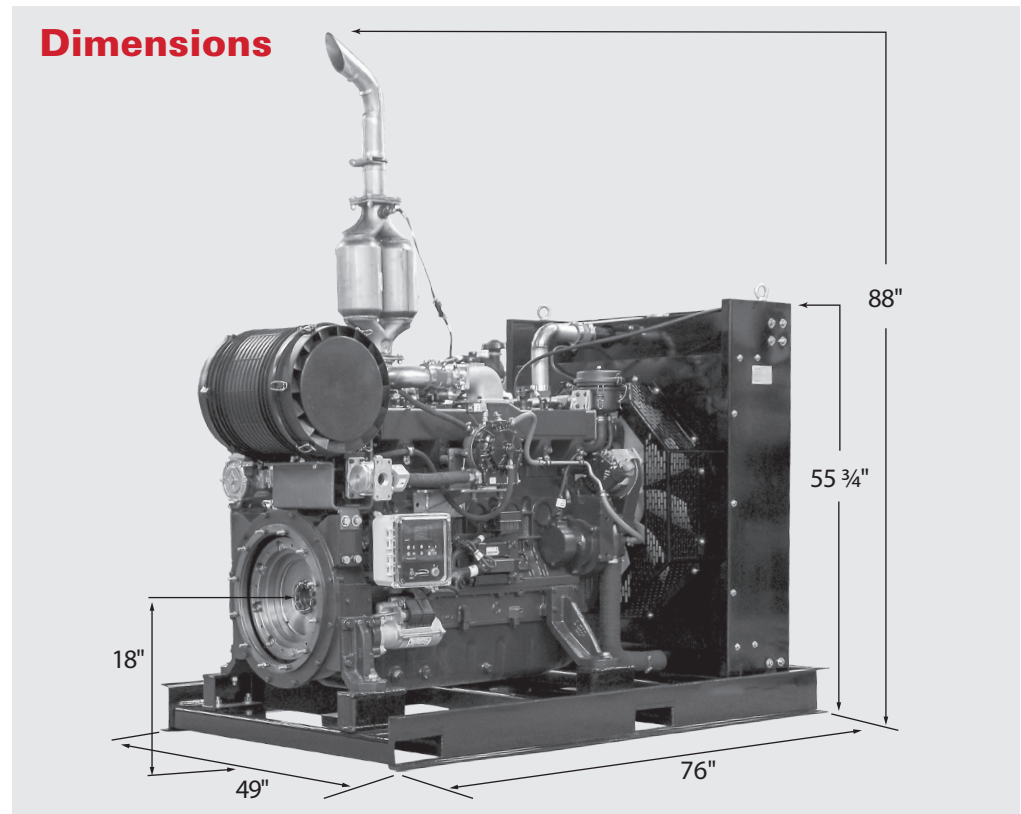


Power corrected to SAE J1995. Actual power levels may vary due to fuel system calibration, and design of induction and exhaust system.

Optional Equipment

- » Radiator
- » Heat Exchanger Cooling and Surge-tanks
- » Over-Center PTO Clutch
- » Front Auxiliary Pulley
- » Telematics
- » Pressure Governing
- » Dual Fuel (NG and LPG)
- » Direct Drive Plate
- » Torsional Resilient Drive Coupler
- » Drive Lines
- » Drive Hubs and Flanges
- » Murphy Sight Level Gauges
- » Off-Road Engine Trainers
- » Generators and Generator Mounting
- » Pumps and Pump Primers
- » Adjustable Engine Stands

Dimensions



WEICHAI

*Generators, Drive Shafts and Pumps also available.