



ISUZU **RED TECH™**

Reliable. Eco-friendly. Durable. Technologically Advanced

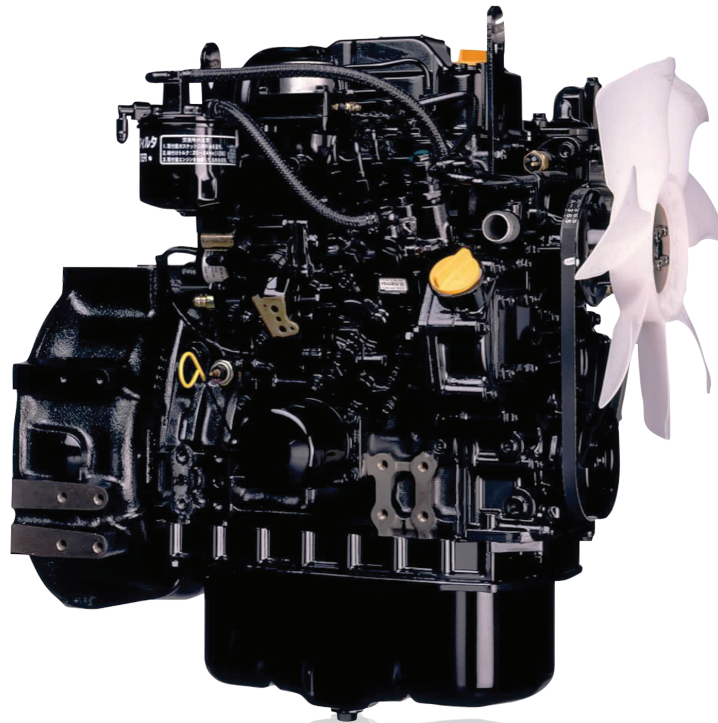
3C SERIES

Dependable Power

- 3CJ1** - 11.8 HP (8.8 KW) @ 1800 RPM (constant speed)
- 3CJ1** - 19 HP (14.2 KW) @ 3000 RPM (variable speed)
- 3CH1** - 14.9 HP (11.1 KW) @ 1800 RPM (constant speed)
- 3CH1** - 23.9 HP (17.8 KW) @ 3000 RPM (variable speed)
- 3CE1** - 21.1 HP (15.7 KW) @ 1800 RPM (constant speed)

THE GO-TO-ENGINE

(that goes to work)



High technology exhaust after treatment provides the ideal level of applied simplicity and end user **performance that goes to work.**

Certifications

U.S. EPA Tier **4**
EU Stage **III B**
EU Stage **V** (select models)

isuzuengines.com



- Agricultural
- General Industrial
- Marine
- Eco-Friendly
- Automotive
- On Road Heavy Duty

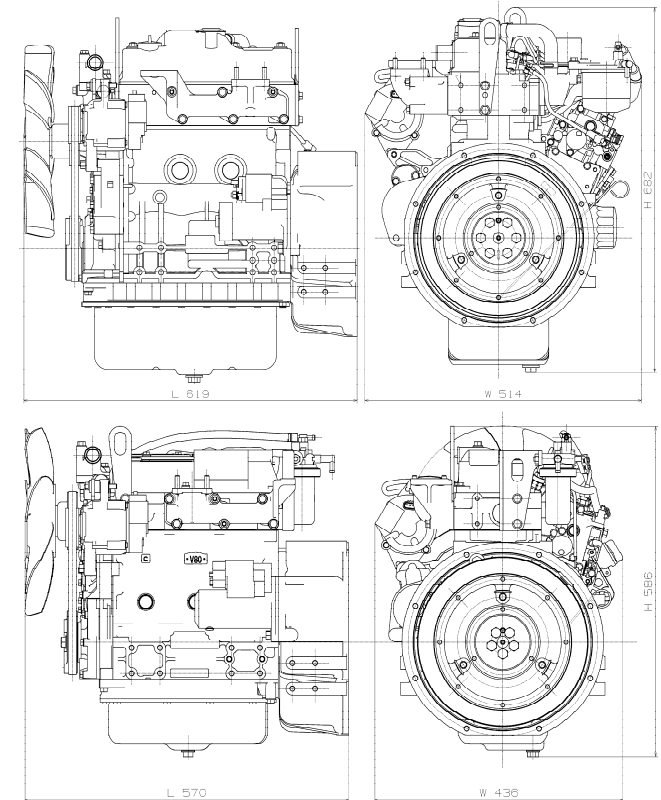
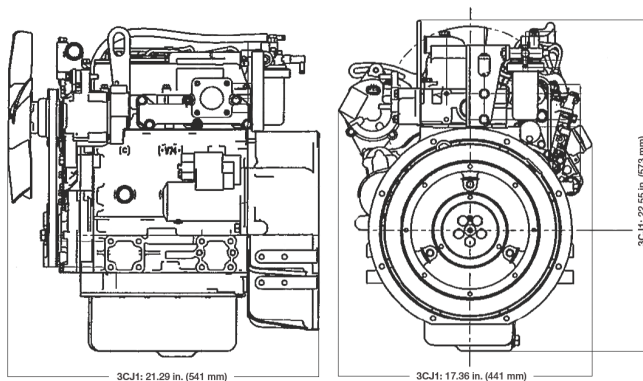
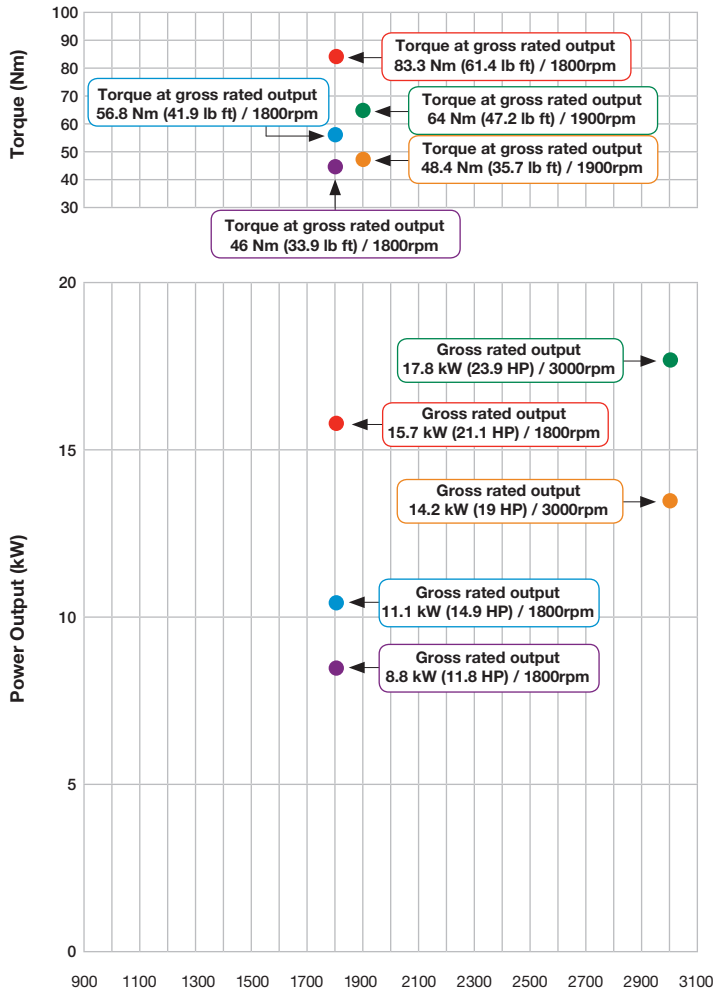
Applications

- AWP
- Water Pump
- Hydraulic Pump
- Refrigeration
- Generator
- Asphalt Paver
- Irrigation

ISUZU
DIESEL

Performance

Engine Performance Curves



For additional information, please contact your local distributor or visit isuzuengines.com

Isuzu Motors America, LLC

46401 Commerce Center Drive
 Plymouth, Michigan 48170
 Phone: 734.582.9470
 Fax: 734.455.7581

ILS-3CJ/H/E-020-5

Standard

- Electric & self-priming fuel lift pump
- Glow plug starting aid
- Flywheel housings: #5 or flat plate
- 2-year / 2,000-hour warranty
- 250-hour or 500-hour oil drain & service interval

Available Options

- Side or bottom drain oil pan
- SAE A Gear Case PTO
- Cooling packages
- Air cleaners
- Meter board and wire harness
- Engine mounting
- Weather and sound-proofing enclosure

Engine Performance Curves

- 3CJ1 – Constant Speed
- 3CH1 – Variable Speed
- 3CJ1 – Variable Speed
- 3CE1 – Constant Speed
- 3CH1 – Constant Speed