

ISUZU 6HK1X Industrial Diesel

ISUZU
DIESEL

Standard Features

- » 6 Cylinder, 4 cycle, water cooled, OHC, vertical inline, turbocharged, CAC, common rail injection
- » 4.527"x4.921" bore & stroke (115 x 125mm)
- » Engine displacement: 475 cu. in. (7.8L)
- » Compression ratio: 17.5:1
- » Dry weight: 1650 lbs. (748kg)
- » 51.90" long by 28.20" wide by 42.60" tall
- » Coolant capacity: 7 gal. (26.5l)
- » Lube oil capacity: 40.2 qt. (38l)
- » Engine rotation is counter clockwise from flywheel

Specifications

- » Radiator with charge-air cooler
- » 12V-110A Alternator with internal voltage regulator
- » 12V – 2.5 kW starter
- » Upward exhaust outlet
- » Turbocharged & CAC
- » SAE #2 11.5 flywheel housing (with metric threads)
- » Oil pan with 35 degree inclination (all directions)
- » Electronically controlled common rail fuel system
- » Fan with 33.46" (850mm) suction
- » Skid base
- » Donaldson dry air cleaner
- » Enclosed instrument panel with Murphy "Power View" display (with low oil pressure and high water temperature shutdowns)
- » Diagnostic light and diagnostic port for EMPS 3
- » Throttle control and start switch
- » Murphy 518
- » Curved exhaust pipe
- » Battery cables
- » Engine shipped with oil and coolant (Pre-run)

EPA
TIER 3
CERTIFIED



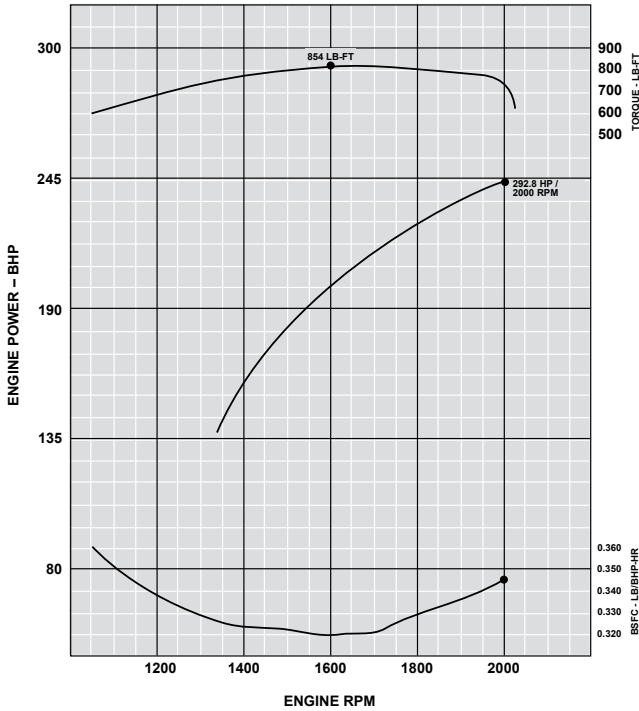
Photo Includes the following optional equipment: PTO

HUSKER
POWER
PRODUCTS

ENGINES · PUMPS · GENERATORS

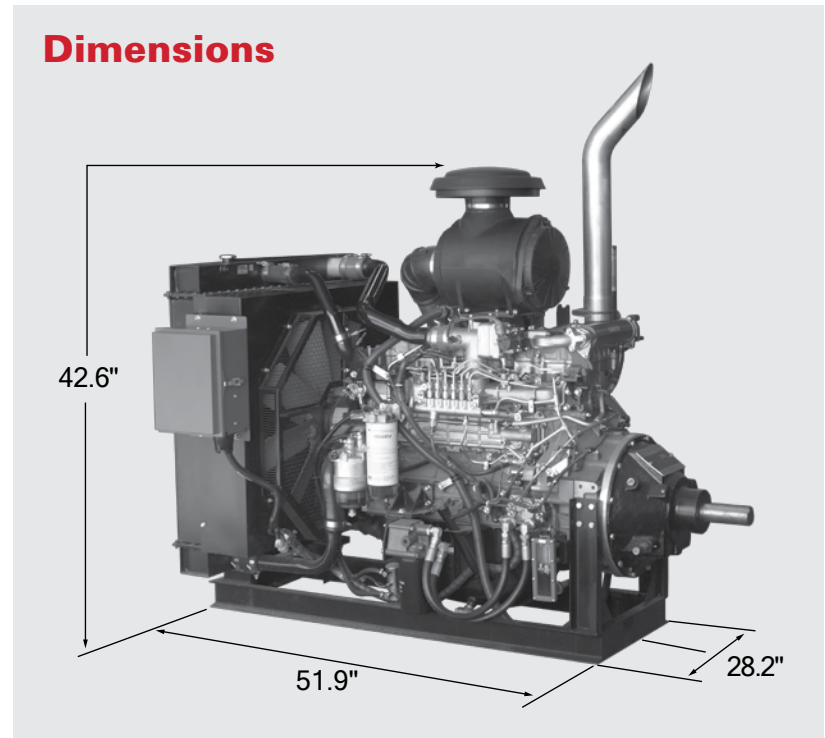
ISUZU 6HK1X Industrial Diesel

Performance Curves



RATIO	1:1	11:10	6:5	5:4	2200	MAX
RPM	1760	1936	2112	2200	2347	RPM
HP	233	248	NA	NA	NA	2000

Dimensions



Optional Equipment

- » Modified Lower Radiator Hose (for right side pull)
- » Drive Plate, #41-48
- » PTO Clutch (2 1/4" shaft)
- » PTO Flange #41 Spicer (Installed)
- » Generator Mounting (Complete with belts and generator pulley)
- » Generator Slides Only
- » Adjustable Engine Stands
- » Trailer, 6' (with 2 mounting rails and new tires, assembled, "off highway only")
- » Drain Hose
- » Muffler



» L150 Sight Water Level Gauge



» Side Generator Mount

*Generators, Drive Shafts and Pumps also available.

